

SUB CONTRACTOR:
 T & C QATAR L.L.C. - C.R. 35109
 P.O. Box: 2329 DOHA, QATAR
 TEL: (+974) 4421 833 / 4930 614
 FAX: (+974) 4410 553 / 4930 614



CONSULTANT:
 المكتب العربي للتقنية
 ARAB ENGINEERING BUREAU
 تخطيط 191447381 - هاتف 4934407 888 - فاكس 4934407 888 - ب.ص. 848 دoha قطر
 Telephone: +964 407 888 Fax: +964 407 888 P.O. Box 848 Doha Qatr
 Email: info@aeq.com Web: www.aeq.com



DESIGNER:
 GHD
 P.O. Box: 14352 Doha Qatar
 T 074 4522979 F 074 4468127
 www.ghd.com.au



MAIN CONTRACTOR:
 AL MADAR CONTRACTING
 P.O. Box: 2329 DOHA, QATAR
 TEL: (+974) 4675405 - 4674466
 FAX: (+974) 4671333 - C.R. : 15061
 WEB SITE: www.almadar-group.com
 Email: conteng@almadar-group.com



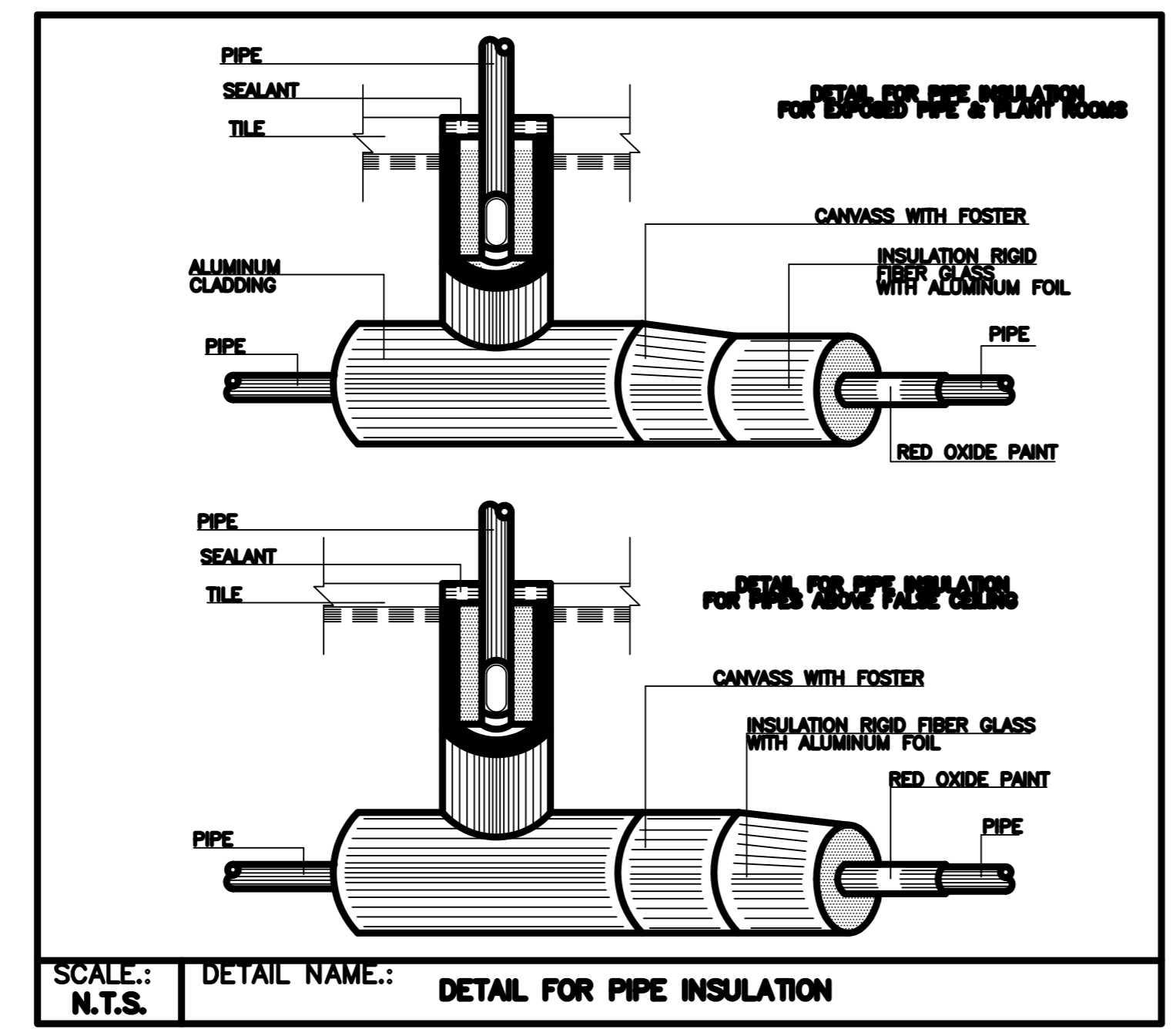
OWNER:
 ALI ABDUL REDA MASHHADI

PROJECT:
 AL NOOR OFFICE TOWER AT NEW DOHA
 2B+G+F+22 FLOORS

DRAWING TITLE:
 SECOND FLOOR PLAN
 WATER SUPPLY LAYOUT

DRAWING REFERENCE:
 75-10288-W000 - DOMESTIC WATER LEGEN & GENERAL NOTES
 75-10288-W140 - SECOND FLOOR DOMESTIC WATER LAYOUT
 75-10288-W200 - DOMESTIC WATER SCHEMATIC DIAGRAM
 75-10288-W300 - GENERAL DETAILS

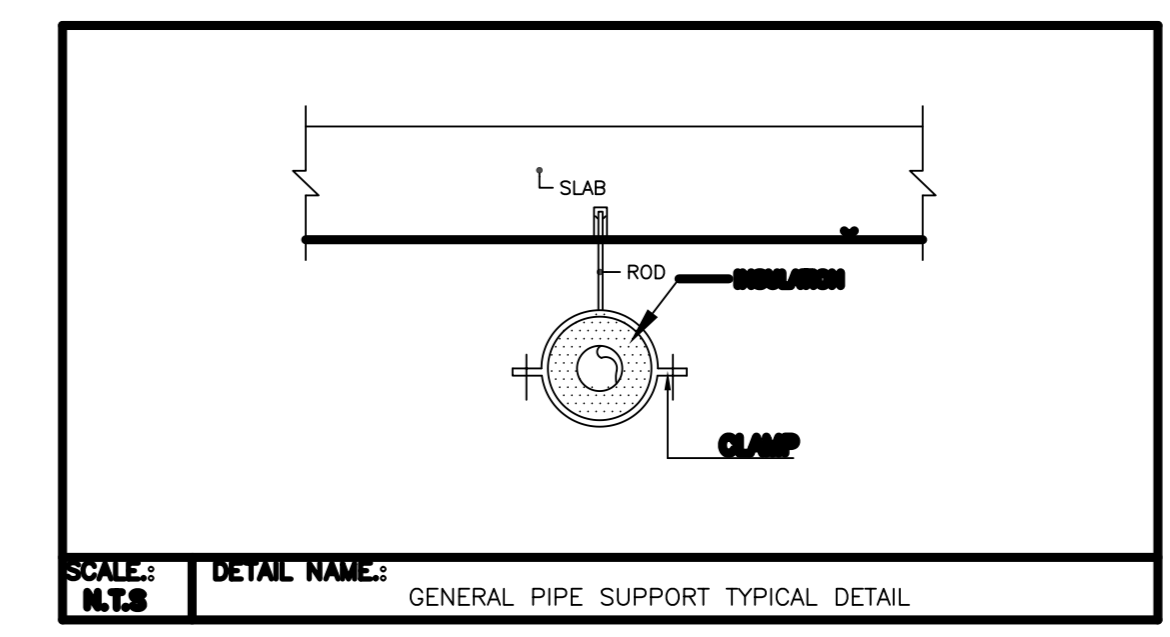
	HOSE BIB
	ISOLATING VALVE
	ELECTRIC WATER HEATER (VERTICAL TYPE)
CWS	COLD WATER SUPPLY
HWS	HOT WATER SUPPLY
F/A	FROM ABOVE
T/B	TO BELOW
D/D	DROP DOWN
IL	INVERT LEVEL



PIPE SUPPORT SPACING CHART FOR COPPER PIPE

PIPE SIZE (mm)	HORIZONTAL SPACING (m)	VERTICAL SPACING (m)
15	1.20	1.8
22	1.80	2.40
28	1.80	2.40
35	2.40	3.00
42	2.40	3.00
54	2.70	3.00

NOTE
 1. ADDITIONAL SUPPORTS SHALL BE PROVIDED AT EVERY JUNCTION AND CHANGE OF DIRECTION.



DRAWN BY	D. PASQUINELLI		
CHECKED BY	M. ALAA		
APPROVED BY	M. MOHAMUD		
DATE	06.07.07		
SCALE	1:50	SIZE	A0
REVISION	0		
DATE	06.07.07		
DRAWING NO.	TC01M2F02016		
SHEET	2 OF 2		